

RM-232-433/BB UHF RADIO MODEM

OEM. HIGH SPEED. LOW POWER.
LICENCE EXEMPT 433.92 MHZ

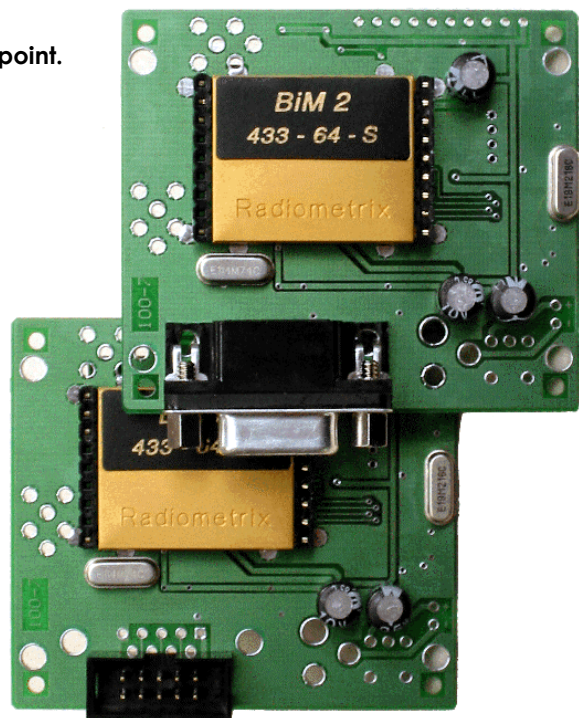
The RM-232-433/BB is a low cost high speed OEM radio modem providing a reliable wireless data link capable of data throughput rates to 14400 bps. Its ease of use and numerous features make it ideal for adding wireless point-to-point and point-to-multipoint communications to any existing RS232 wired product.

Features

- Acknowledged point-to-point & point-to-multipoint.
- Broadcast multi-drop & multi-master modes.
- DTE speed 600-115200bps.
- Air data speed 600-14400bps.
- Flow control - hardware/software/none.
- Up to 300m outdoor & 50m indoor range.
- Reliable data transfer with on-air encryption.
- Simple built-in command line configuration.
- Modem status indicators.
- Built-in RF link diagnostics.
- Remote over-air unit configuration.
- Low operating current. Auto standby mode.
- 7 to 15VDC operation
- Serial interface: D9 or 10 way header.

Applications

- Remote data acquisition systems
- EPOS equipment, barcode scanners
- Wireless computer peripheral networks
- Remote monitoring and control systems
- PDA, laptop, organiser, printer connectivity
- Portable logging equipment (body worn etc)



Easy and Reliable

The RM-232-433/BB is designed as an OEM product that can be easily incorporated into existing products. The radio modem uses addressable data packets with error checking, packet acknowledgements and retransmissions to achieve a reliable invisible wireless data link. Built for ease of use and rapid installation, the RS232 compliant interface ensures direct connection to serial equipment while remote configuration enables post installation setup of the modem.

Antenna Options

Whether your radio link requirements are a few feet or a few hundred meters, an appropriate antenna can be designed and fitted to suit. Additionally the RM-232-433/BB can be configured as a repeater to further extend the operational range.

Broadcast Multi-drop Networks

Configure the RM-232-433/BB for broadcast multi-drop mode and combine with any number of intelligent host computers/controllers to implement very large multipoint radio networks.

TECHNICAL SPECIFICATIONS

RM-232-433/BB

General

Operating Voltage	7 to 15VDC via pin #1 of interface connector
Operating Current	
Transmitting/Receiving	Average 40mA (Data streaming)
Standby/Power-down	15mA/400uA
Operating Temperature	0 to +55 degrees C
Configuring Settings	Built-in software command line configurator
Supplied with:	1 x users manual per order

Interface

RS232 Interface	DCE - 9 pin female D style or 10 way box header
RS232 Protocol	8 data/1 stop/no parity
RS232 Signals	RXD, TXD, RTS, CTS, DTR, GND
Powerdown Control	Via DTR (software controlled)
RS232 Handshaking	Selectable as hardware/software/none
DTE Interface Speed	600/1200/2400/4800/9600/14400 19200/38400/57600/115200
Air Interface Speed	600/1200/2400/4800/9600/14400

Receiver

Sensitivity	-100 dBm for 1ppm BER
Operating Frequency	Single channel 433.920 MHz

Transmitter

Output Power	10mW ERP
Spurious Emissions	-70 dB

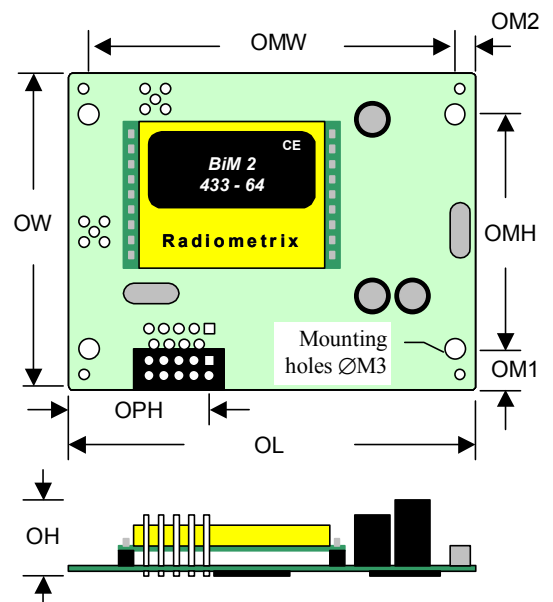
Approvals

Australian Standards	AS 4268.2
European Standards	EN 300-220-1, ETS 300-683

Physical

Mechanical Details	Typical
Length (dimension OL)	63.5mm
Width (dimension OW)	56.0mm
Height (dimension OH)	15.8mm
Mounting holes width (dimension OMW)	41.0mm
Mounting holes length (dimension OML)	57.5mm
Mounting holes position 1 (dimension OM1)	7.5mm
Mounting holes position 2 (dimension OM2)	3.0mm
Pin header from edge (dimension OPH)	26.5mm

RM-232-433/BB Dimensions



Ordering Information

Part number	Description	Unit Price ex works Ellighausen
RM-232-433/BB	RM-232 bare board modem fitted with DB9 socket	upon request
RM-232-433/BBH	RM-232 bare board modem fitted with 10 way header	upon request
CON-SMA-RAP	SMA female connector. Right angle, bulk head, PCB mount.	upon request
ANT-433H-SMA	433MHz SMA mounted helical antenna	upon request
ANT-433D-3DB	Industrial standard end fed 3dB dipole antenna	upon request